

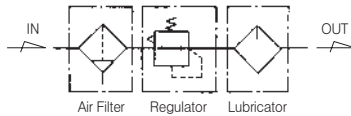
Series PC4

Combination 3/8" and 1/2"



PAT

Symbol



Standard Specifications

Fluid	Air	
Max. Operating Pressure (MPa)	1.0(140psi)	
Proof Pressure (MPa)	1.5(200psi)	
Set Pressure (MPa)	Standard	0.05~1.0(7~140psi)
	Made to Order Specifications	0.05~0.2(7~30psi), 0.05~0.4(7~60psi), 0.05~1.5(7~200psi)
Ambient and Fluid Temperature (°C)	-5~60(23~140° F)(Non-freezing)	
Flow Capacity ※ (N ℓ /min)	3/8"	2,800(99scfm)
	1/2"	4,300(152scfm)
Filtration (μm)	5	
Construction	Relieving Style	
Recommended Oil	ISO VG32(Turbine Oil 1 Class)	
Port Size for Pressure Gauge (Rc (PT), NPT)	1/8"	
Weight (kg)	1.88(4.14lb)	

※ Test conditions : Supply pressure 0.7MPa(100psi), pre-set pressure 0.6MPa(90psi)

How to Order

PC 4 A — * 04 D G — * — C3M3Z5

Series (Combination Unit) points to **PC 4**

Components points to **A**

Blank	Filter-Regulator-Lubricator
A	Piggyback-Lubricator
B	Filter-Regulator
C	Filter-Coalescing Filter(0,3)-Regulator
D	Piggyback-Coalescing Filter(0,3)
E	Filter-Coalescing Filter(0,01)-Regulator
F	Piggyback-Coalescing Filter(0,01)

Thread points to **04**

Blank	Rc(PT)
N	NPT
G	G(PF)

Port Size points to **D**

03	3/8
04	1/2

Drain Option points to **G**

Blank	Manual Push Drain
D	Auto Drain (N.O Type)

Pressure Gauge points to **G**

Symbol	Description	Pressure Range
Blank	None	
G	Integral Pressure Gauge (W/Limit Indicator)	1.0MPa
P	Pressure Gauge	1.0MPa
P2	Pressure Gauge	0.2MPa
P4	Pressure Gauge	0.4MPa

Accessories points to **C3M3Z5**

Symbol	Port Size	Description	Applicable Series
C1	1/8"		PC2~PC3
C2	1/4"	Check Valve	PC2~PC4
C3	3/8"		PC4
H	-	Shut-off Valve	PC2~PC5
M1	1/8"		PC2~PC3
M2	1/4"	Modular Manifold Block Kit	PC2~PC4
M3	3/8"		PC4
S	-	Slow Start Valve	PC4
V	-	Lock-out Valve	PC2~PC5
W	-	Modular Pipe Adapter Kit	PC2~PC5
Z1	-	Pressure Switch, AC110V	PC2~PC5
Z5	-	Pressure Switch, DC24V	PC2~PC5

Note4) When specifying more than one symbol, indicate them alphabetically Ex) C3M3Z

Other Option

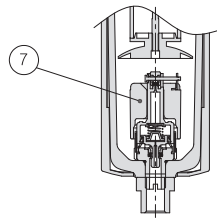
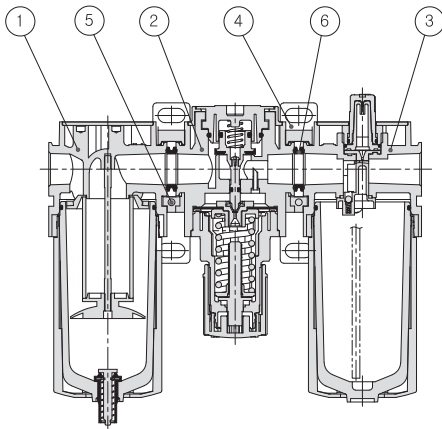
Blank	Set at 0 to 1.0 MPa, 5μm (Standard)		
2	Set at 0 to 0.2 MPa	K	Built-in Check Valve
4	Set at 0 to 0.4 MPa	L	Life Indicator
15	Set at 0 to 1.5 MPa	R	Flow Direction : Right - Left
E	Non-Relieving Type	T	Tamper Resistant Kit
J2	Filter element - 20μm	U	Regulator (Top Mounted)
J4	Filter element - 40μm	XC16	Copper-free
Q1	Metal Bowl With/Sight Glass	Q2	Metal Bowl NO Sight Glass

Note1) Refer to page 935 for Built-in Check Valve, Tamper Resistant Kit.
 * If ordering more than one option, indicate symbols numerically then alphabetically Ex) 2EK
 * Over Max. pressure value can be set.



Series PC4

Construction



Auto-Drain Type

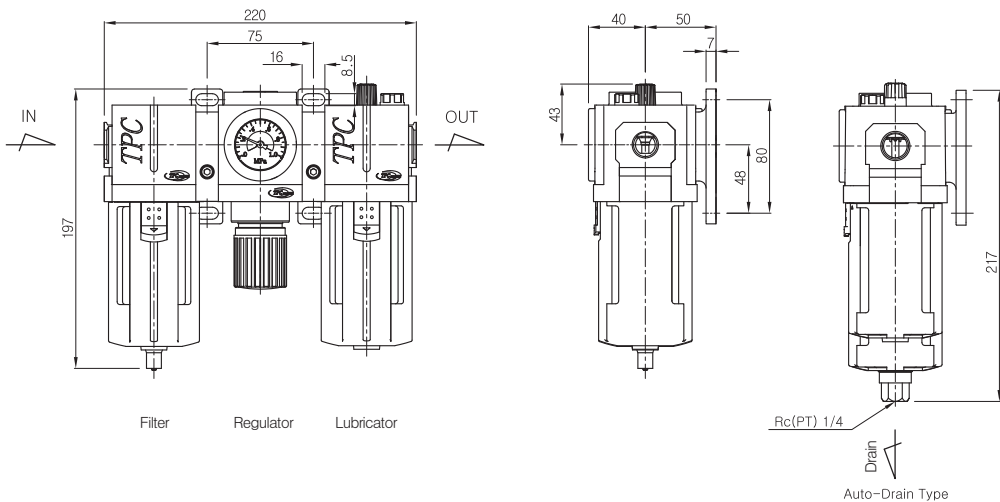
Main Parts/Parts List

No.	Description	Material	Remark
①	Filter Ass'y	-	
②	Regulator Ass'y	-	
③	Lubricator Ass'y	-	
④	Bracket Ass'y	Aluminum	
⑤	Connecting Screw	Carbon steel	

Replacement Parts/Parts List

No.	Description	Material	Part No.
⑥	Spacer O-ring	NBR	PC4A-04-001-01
⑦	Auto-Drain ass'y	-	TAF3000-04A-6008

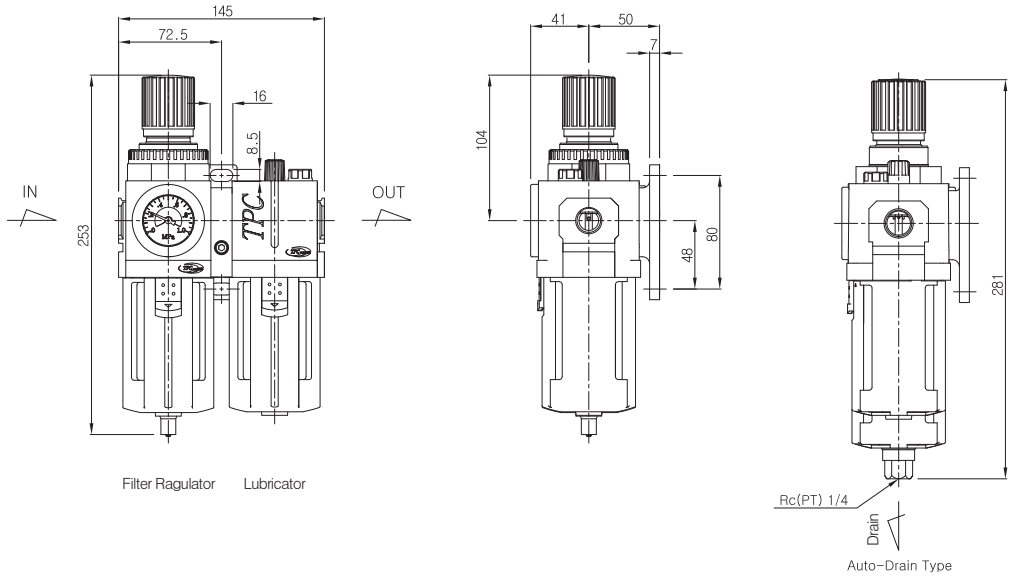
PC4 Dimensions



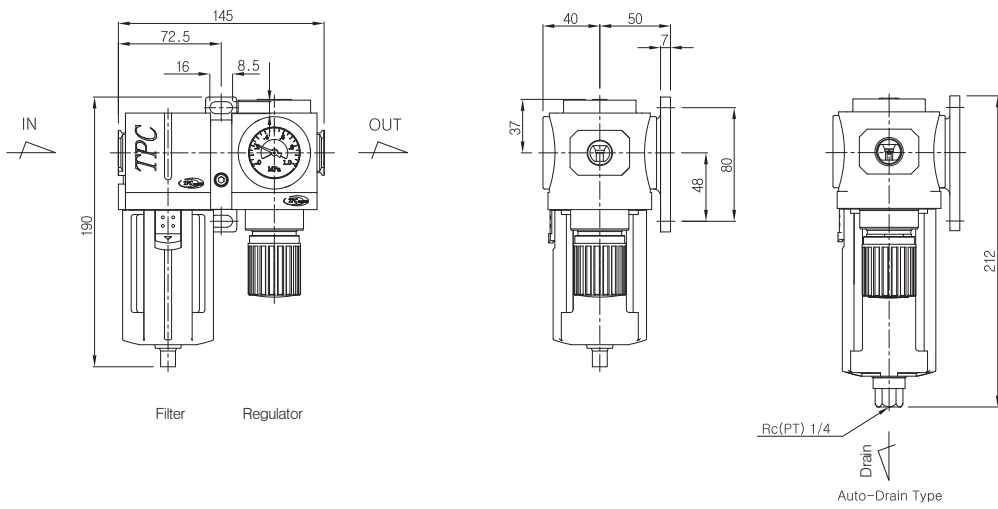
- PC2
- PF2
- PR2
- PL2
- PP2
- PC3
- PF3
- PR3
- PL3
- PP3
- PC4**
- PF4
- PR4
- PL4
- PP4
- PC5
- PF5
- PR5
- PL5
- PP5
- PFH(U)2~
PFH(U)5
- PPH(U)3~
PPH(U)4
- PLV
- PSH
- PCV
- MB

Series PC4

PC4A Dimensions



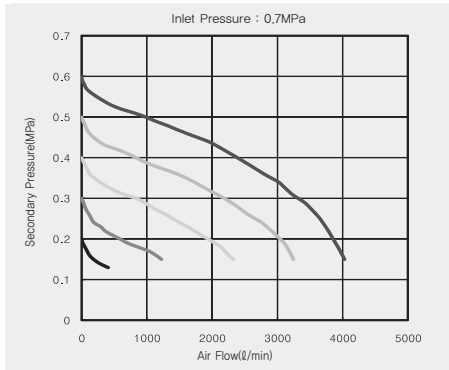
PC4B Dimensions



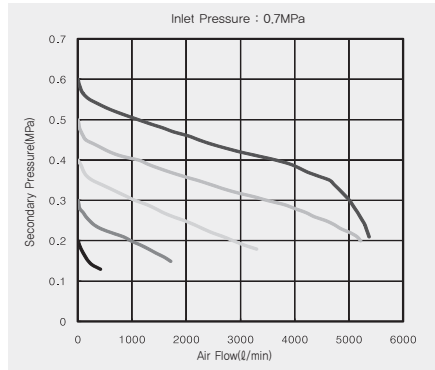
Series PC4

PC4 Series Flow Characteristics

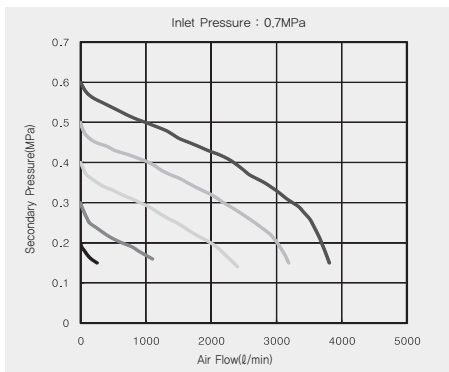
▶ 3/8" PC4



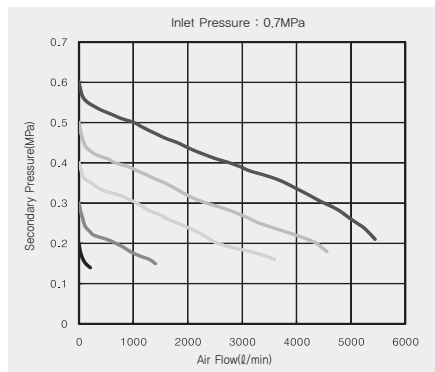
▶ 1/2" PC4



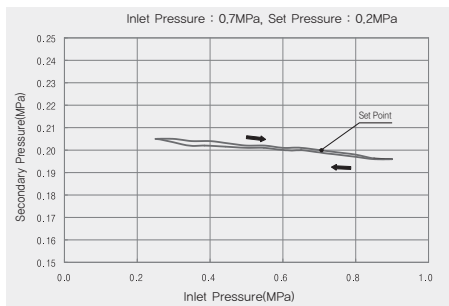
▶ 3/8" PC4A



▶ 1/2" PC4A



PC4 Series Pressure Characteristics



- PC2
- PF2
- PR2
- PL2
- PP2
- PC3
- PF3
- PR3
- PL3
- PP3
- PC4**
- PF4
- PR4
- PL4
- PP4
- PC5
- PF5
- PR5
- PL5
- PP5
- PFH(U)2~
PFH(U)5
- PPH(U)3~
PPH(U)4
- PLV
- PSH
- PCV
- MB